



Description



TVC-1200
COMPACT VERTICAL SYSTEM

	TVC-400	TVC-800	TVC-1200
Frame	Welded stainless steel tube		
Membranes	Low energy, thin-film (high rejection option)		
Vessels	PVC (SS option)		
Pump	Brass Positive Displacement (SS option)		
Gauges	Filter inlet/outlet, Vessel inlet, SS case, bronze internals (SS option), glycerine filled		
Valves	Recirculation control valve		
Switches	Low feed pressure cut-out and tank pressure		
Filters	20" sed. and 20" Carbon block prefilters w/housings		
Electrical*	110/220V 50/60Hz 1-phase		
Connections Feed/Drain/Product	1/2" QC/3/8" QC/1/2" QC		
Control System	Microprocessor controller		
Standard Panel Instruments	TDS Monitor, Recirculation and Product Flowmeters		

*System production rate at 50 Hz power will be reduced by approximately 20%

Specifications

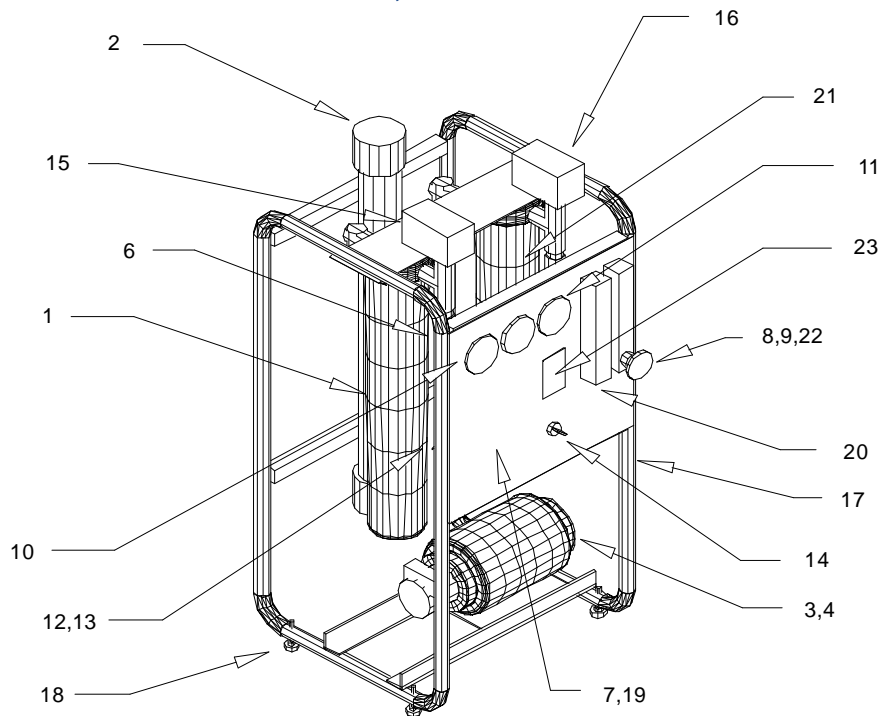
	TVC-400	TVC-800	TVC-1200
Capacity	400 GPD (1.5m ³ /d)	800 GPD (3.0m ³ /d)	1200 GPD (4.5m ³ /d)
Membranes	1	1	1
Nominal/Maximum Operating Pressure	150/200 psi (10.3/13.8 bar)		
Min. Conc. Flow - Discharge + Recirc	0.35 GPM	0.7-0.9 GPM	
Nominal Recovery	50-70%		
Typical TDS Rejection	98%		
Max Feed Temp	113°F (45°C)		
Feed pH	3-10		
Feed Chlorination	External Dechlorination reqd. if >1.0 ppm		
Maximum Feed TDS	2,500 ppm		
Motor Rating	0.75 HP ODP Carbonator Type		

System Options

Product Storage Tanks • Tank Level Controls
Repressurization system • Automatic Flush • Pre/Post Treatment



TVC-400, -800 and -1200



System Diagram

1. Sediment Prefilter	12. Electric Junction Box
2. Pressure Vessel Assembly	13. Pressure Relief Switch
3. Pump	14. Main Power Switch
4. Motor	15. Low Pressure Switch
5. N/A	16. Tank Pressure Switch
6. Solenoid Valve	17. SS Frame
7. Monitoring Panel	18. Levelling Feet
8. Brine Flow Restrictor	19. Control Panel
9. Conc. Recirc. Valve	20. Product Flow Meter
10. Prefilter In/Out Gauges	21. Carbon Block Prefilter
11. Vessel In Gauge	22. Recirc. Flow Meter
	23. TDS Monitor

TVC-400 has 2521 Pressure Vessel, TVC-800 & 1200 have 4021 Pressure Vessel.

TVC Series

System Information

	TVC-400	TVC-800	TVC-1200
Weight lbs. (kg) (Dry)	67 lbs. (31 kg)	75 lbs. (34 kg)	80 lbs. (36 kg)
Dimensions	17"W x 16.5"D x 34"H (43 x 42 x 86 cm)		

Dimensions and weight are for the system only. Systems are shipped in a cardboard container. A wood shipping crate is available for an additional charge.

